

# Centrifugal feeder ZF

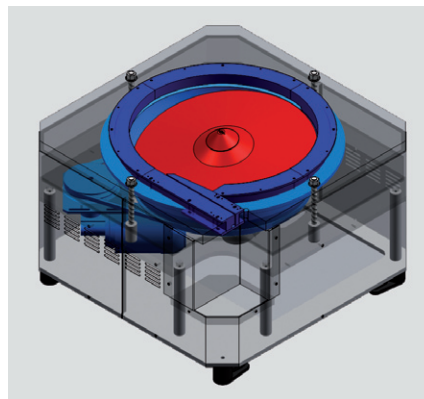
## Characteristics

The Grimm centrifugal feeders allow high-speed feeds with up to 1000 parts/min and more. Ideally, they are used in the case of light-weight mass production parts with



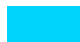
simple sorting criteria as well as for massive steel parts. Our plug-in sorting elements also allow a fast type change. Since the parts lie still on the support during the rotatio-

nal movement, Grimm centrifugal feeders offer especially gentle part handling.

## Structure



Color scheme of the individual components:

-  Sorting baffles / part feeding
-  Turning plate (tilted by 10 degrees)
-  Discharge ring, horizontal

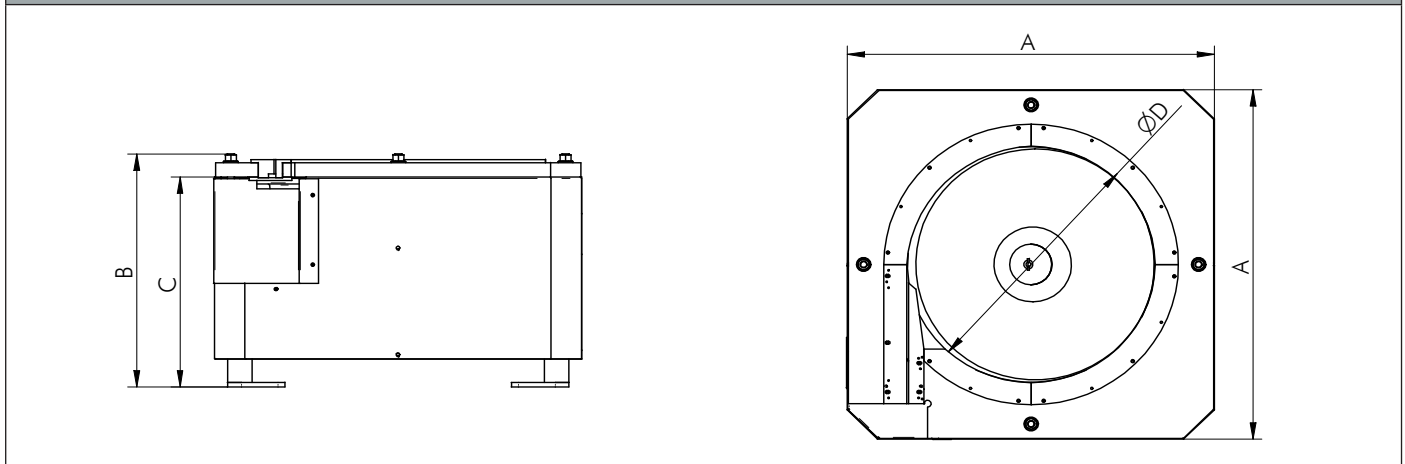
## Technical data

Device type	ZF50	ZF100
Mains voltage	3 AC 400 V, 50/60 Hz	3 AC 400 V, 50/60 Hz
Required mains power	approx. 1 kVA	approx. 1 kVA
Plate drive:		
Gear motor	3 AC 400 V/ 50 Hz, 0.09 kW;	3 AC 400 V/ 60 Hz, 0.09 kW;
Frequency converter	AC 230 V/ 50 Hz, 0.37 kW	AC 230 V/ 70 Hz, 0.37 kW
Drive, discharge ring:		
Gear motor	3 AC 400 V/ 50 Hz, 0.09 kW;	3 AC 400 V/ 60 Hz, 0.09 kW;
Frequency converter	AC 230 V/ 50 Hz, 0.37 kW	AC 230 V/ 70 Hz, 0.37 kW
Weight, basic device [kg]	58	100
Protection class in accordance with DIN EN 60529	IP 54	IP 54
Article no.	1-000079	1-000081

## Dimensions

Device type	Dimensions [mm]			
	A	B	C	Ø D
<b>ZF50</b>	602	380±10	345±10	406
<b>ZF100</b>	1100	535±10	500±15	812

### Technical drawing



## Accessories

Designation	Description	Article no.
<b>Control for ZF50/ ZF100</b>	Separate speed selection of turning plate and discharge ring, with input for accumulation shut-down	1-000199
<b>Pendulum switch PS1</b>	Pendulum switch PS1 for automated filling level control of bulk material in the sorting device, compact design, optical status display via LED, inductive switch without wear	2-002099
<b>Floor stand SBF</b>	3 radially arranged positioning feet (Ø 500 mm), fixed adapted height according to customer specifications	1-000630
<b>Floor stand SBV</b>	With height fine-adjustment screw and variable adjustment range	2-000321
<b>Coatings/ materials</b>	Stainless Steel (coating on the discharge ring), PU (glued to the turning plate)	–